



H O M E
OFFICE
MOODS.

SANCAL 

WORK

FROM

HOME,

A NEW

MUST.

SAME NEEDS

NEAT,

COMFORTABLE

AND BEAUTIFULL

PLACES.

DIFFERENT

PERSONALITIES

CREATE MOODS.





INDUS- TRIAL LOFT.



The open-plan loft-type homes use rational layouts to maximise the feeling of space. Industrial finishes can add an eclectic note in which textures and materials play a fundamental role.

In this case, the homely and comfortable touch is provided by upholstered furniture such as the **Nap**

sofa-bed and the **Tea** chair, thanks to their colours and textures. The warmth of the wooden **Nudo** table in a walnut colour creates a delicate contrast with the concrete floor or the steel walls.

Creating a small jungle with indoor plants on the desk area adds a fresh, natural touch and improves air quality.



Roble 003 Nogal
Silvertex Meteor
Rime 271
051 Gris Beige



HOME OFFICE



12



HOME OFFICE

13



CHIC AND NEU- TRAL.





HOME OFFICE



Dusty shades like pink create calm ambiences, as this soft palette and its almost monochromatic application bring light and freshness, ideal for a small home office.

The natural finish of the **Nudo** desk reinforces the clean and delicate aesthetic of this space, while the

hexagonal quilting of the **Tea** chair and armchair adds texture and dynamism to this cosy and intimate working corner. Decorative elements add a playful touch, reinforcing the idea that pink doesn't have to be cheesy.



HOME OFFICE

Roble 002 Natural
Silververtex Rose
+ Atlas 5011
141 Nude







AR-
TISTIC
AND
CREA-
TIVE.



Home office hues don't always have to be neutral. Colour applied to a wall or in small details can inject high doses of energy to motivate and inspire.

In this space, neutral elements such as the natural finish of the **Nudo** table and the grey upholstery of the **Tea** chair are perfectly integrated into a fresh, fun and dynamic interior design.

In addition, to make good use of the space, the walls can turn into work boards to organize things, as well as a focal point in which to display personal objects.



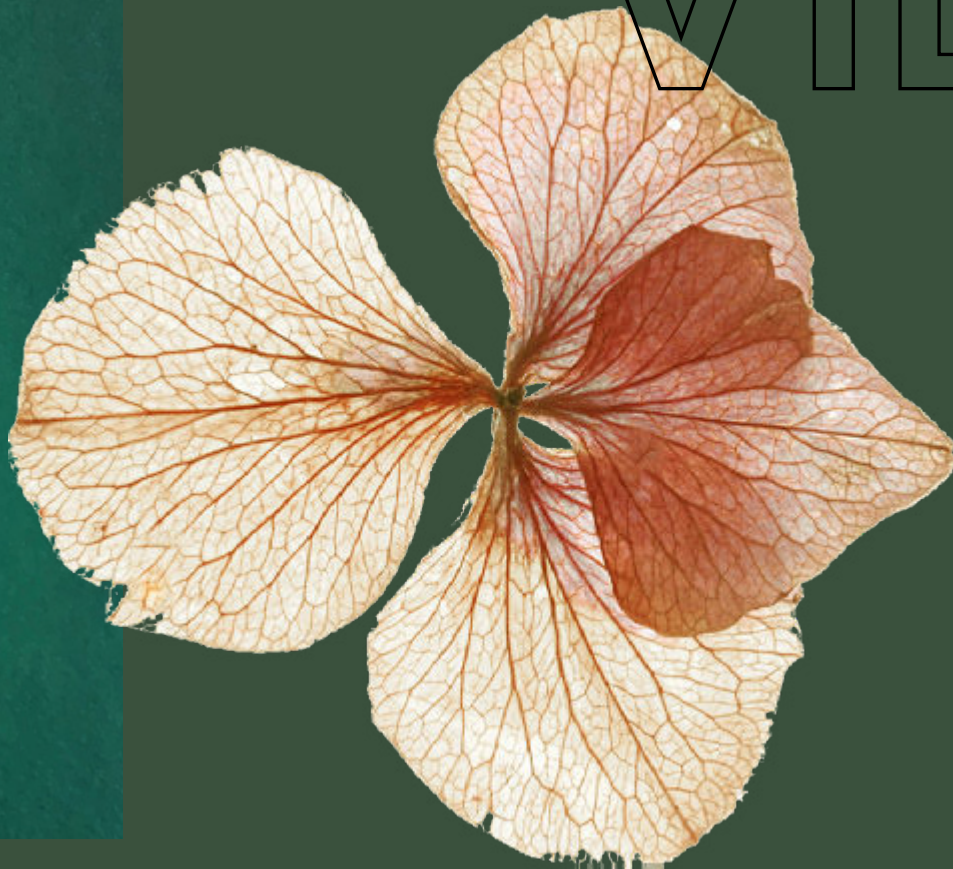
Roble 002 Natural
Silvertex Macadamia
+ Rime 231
095 Gris seda



The small **Estante** cabinet is an ideal piece to store items, bringing joy and order to the chaos of the most creative studies.



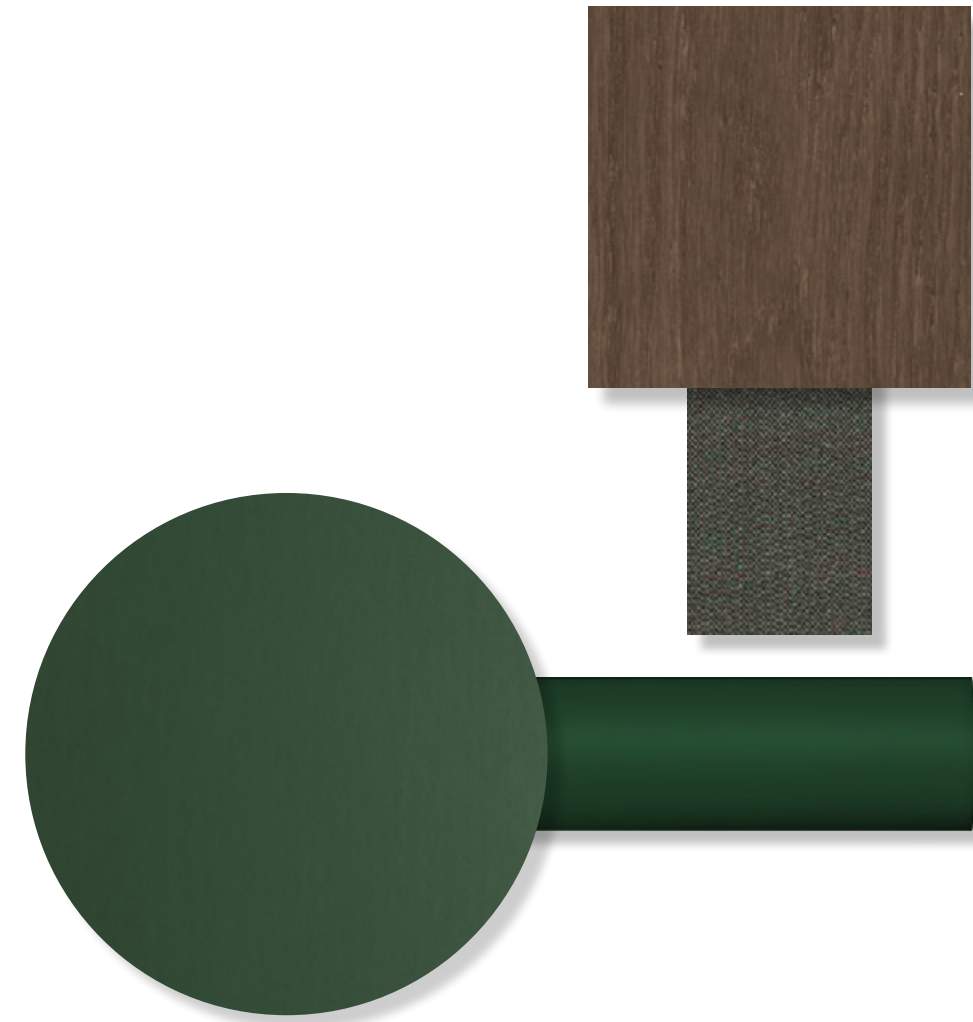
CLAS- SIC VIBES.





A simple, neat and elegant corner in nature's own palette, with walnut colour for the **Nudo** desk or forest green for the **Tea** chair. The organic shapes of both designs are subtly integrated into this contemporary yet classically-inspired setting.

The soft palette and noble materials are ideal for creating calm and timeless environments, a perfect place to think and create. Details such as a picture or small decorative elements provide a fresh, casual touch, making the corner personal and attractive.



Roble 002 Natural
Silvertex Forest
+ Atlas 961
095 Gris seda





RURAL
HOME
OFFICE
WITH A
VIEW.

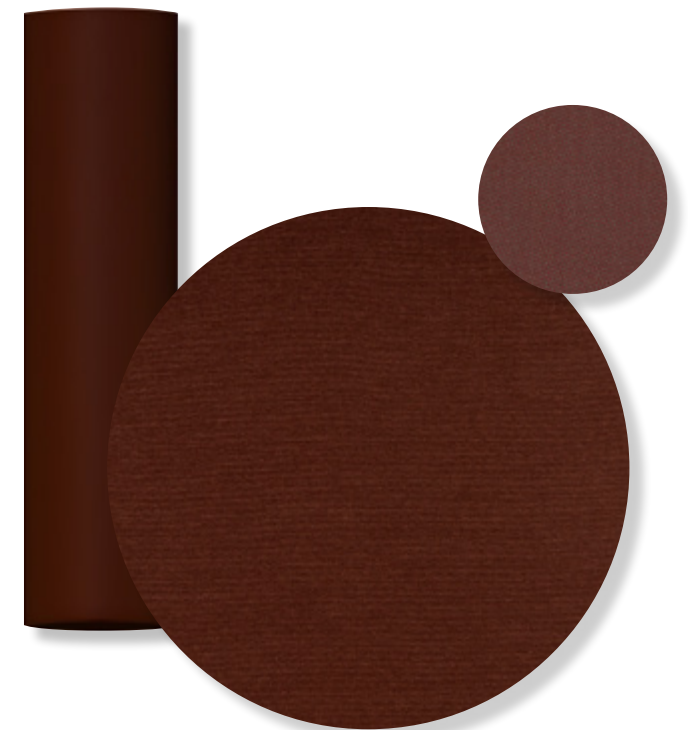


Although old rural houses did not contemplate a dedicated space for a small office, any corner can be a good place to install a small, flexible home office with a view of the countryside.

These simple homes do not need great artifice to create cosy, natural and vital spaces. The neutral floor

and wall tones allow subtle touches of colour, as does the **Tea** chair with a two-tone upholstery that combines earthy hues.

The mixture of original architectural elements with other more contemporary ones offers interesting results in decorative terms



Roble 003 Nogal
Silvertex Umber
+ Rime 0571
095 Castaño



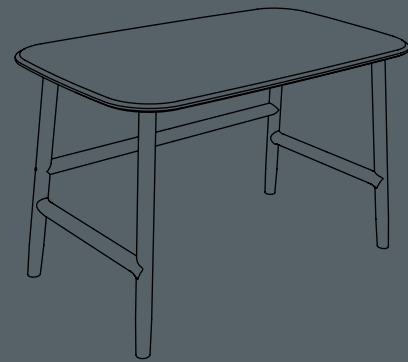
NUDO

DESK



HOME OFFICE

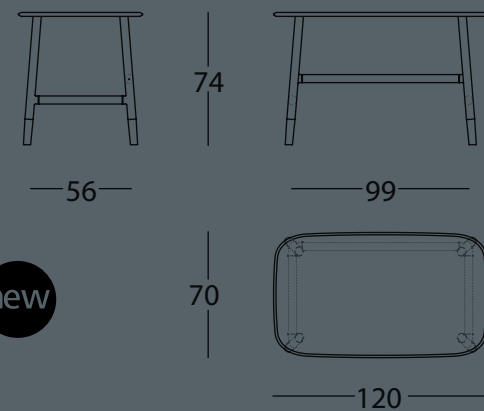
HOME OFFICE



TECHNICAL CHARACTERISTICS

- Wooden top: solid slatted oak.
- Legs: solid oak wood, flat-packed (includes assembly instructions).

280.75.NHH



HOME OFFICE



NUDO DESK



HOME OFFICE

The office desk is an example of the versatility of **Nudo** range, as its reduced size (120x70x74) makes it a practical option for a home office. Although light colours and natural materials are desirable as they convey calm and facilitate concentration, there are 18 stain colours to choose from, so it will fit perfectly into the room's decor.

A special hard-wearing matt treatment gives the table a traditional wax-like finish, accentuating the natural grain of the solid oak top and reduces reflections.

TEA

WHEELS

HOME OFFICE

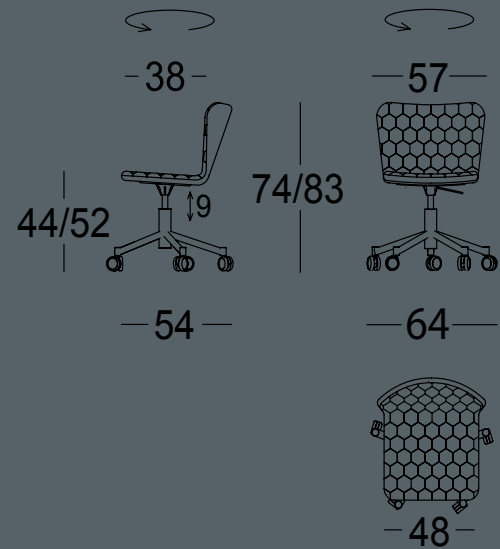


HOME OFFICE

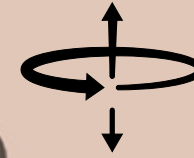


TECHNICAL CHARACTERISTICS

- Fixed cover.
- Inner steel structure F1 of 12mm and metallic strip reinforcement, covered with injected foam.
- Oak or beech feet, matt finished.
- Wheeled base: Lacquered F1 steel. Choose finish colour from any of our lacquers. Height adjustable gas piston. Silent D59mm black-grey wheels with dual, high resistance roller guides in nylon and steel.



TEA WHEELS



José Manuel Ferrero has reduced the lounge chair to its minimum expression. The result: a light and soft chair. The curved shape of the back is supportive yet flexible, thanks to the injected polyurethane. As well as the

rest of the **Tea** Collection the chairs incorporate hexagonal quilting and the possibility of creating both bi-coloured pieces. Oak and beech feet are also available.

HOME OFFICE

HOME OFFICE

HOME OFFICE



48



HOME OFFICE

49

+

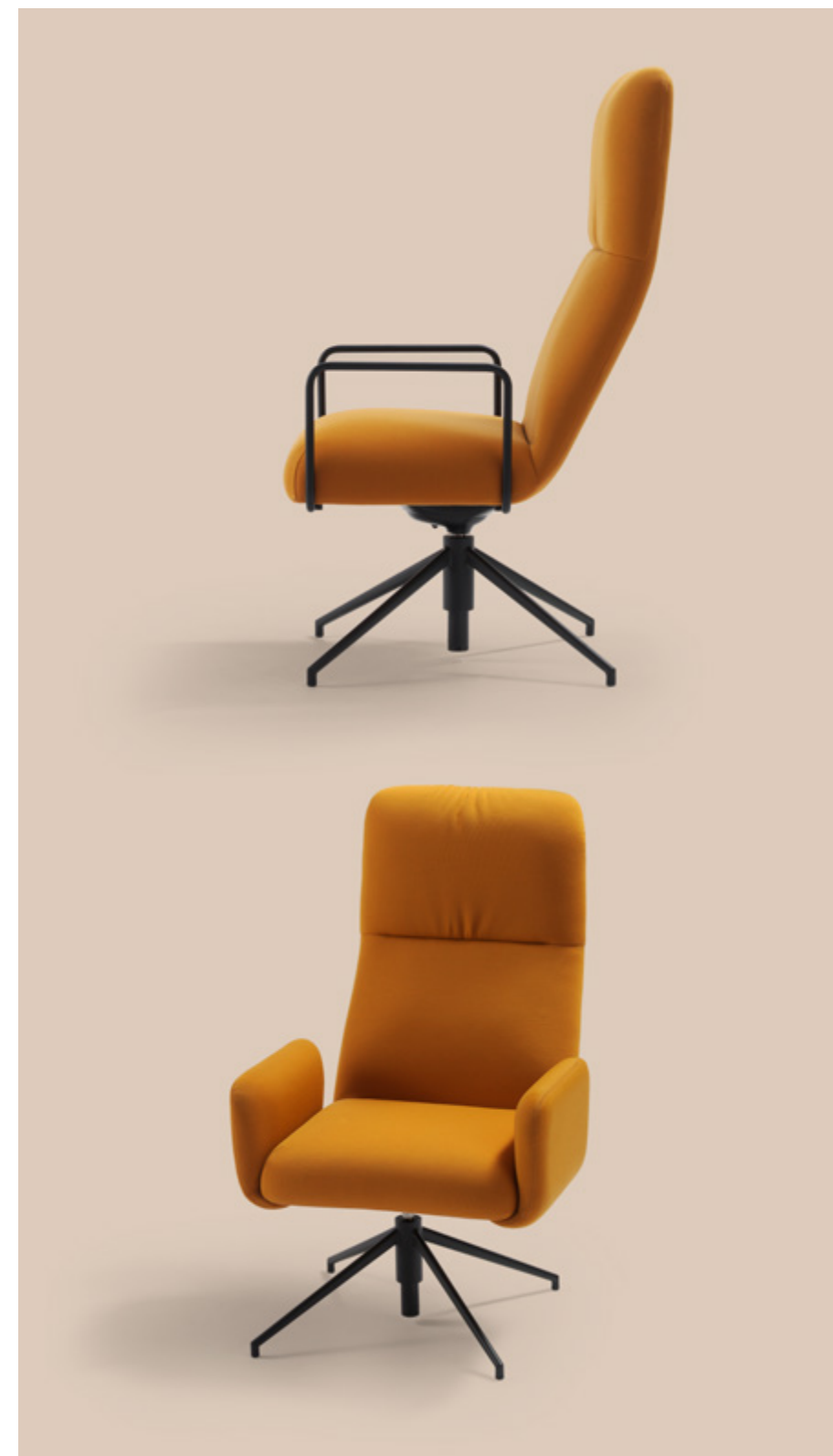
CHAIRS

ELLE

HOME OFFICE



50



HOME OFFICE

51

MULLIT



HOME OFFICE

52

NIDO



HOME OFFICE

53

COLLAR



HOME OFFICE

MAGNUM



HOME OFFICE

SANCAL REF. 20026_HOME_OFFICE_MOODS

SANCAL DISEÑO, S.L.
Pól. Ind. La Herrada C/ Príncipe de Asturias, 18 30510
Yecla (Murcia) Spain
Tel Esp. +34 968 75 15 03
Tel. Eng. +34 968 71 90 62
Tel. Fra. +34 968 71 90 61
Fax +34 968 79 40 62
e-mail web@sancal.com
www.sancal.com

Art direction & styling
Juan Ibáñez, Elena Castaño-López & Carolina Mico
Photography Marcelo Martínez
Coordination Esther Castaño-López
Graphic project Juan Ibáñez & Sonia Marco

Copyright © Sancal Diseño S.L. 2020

